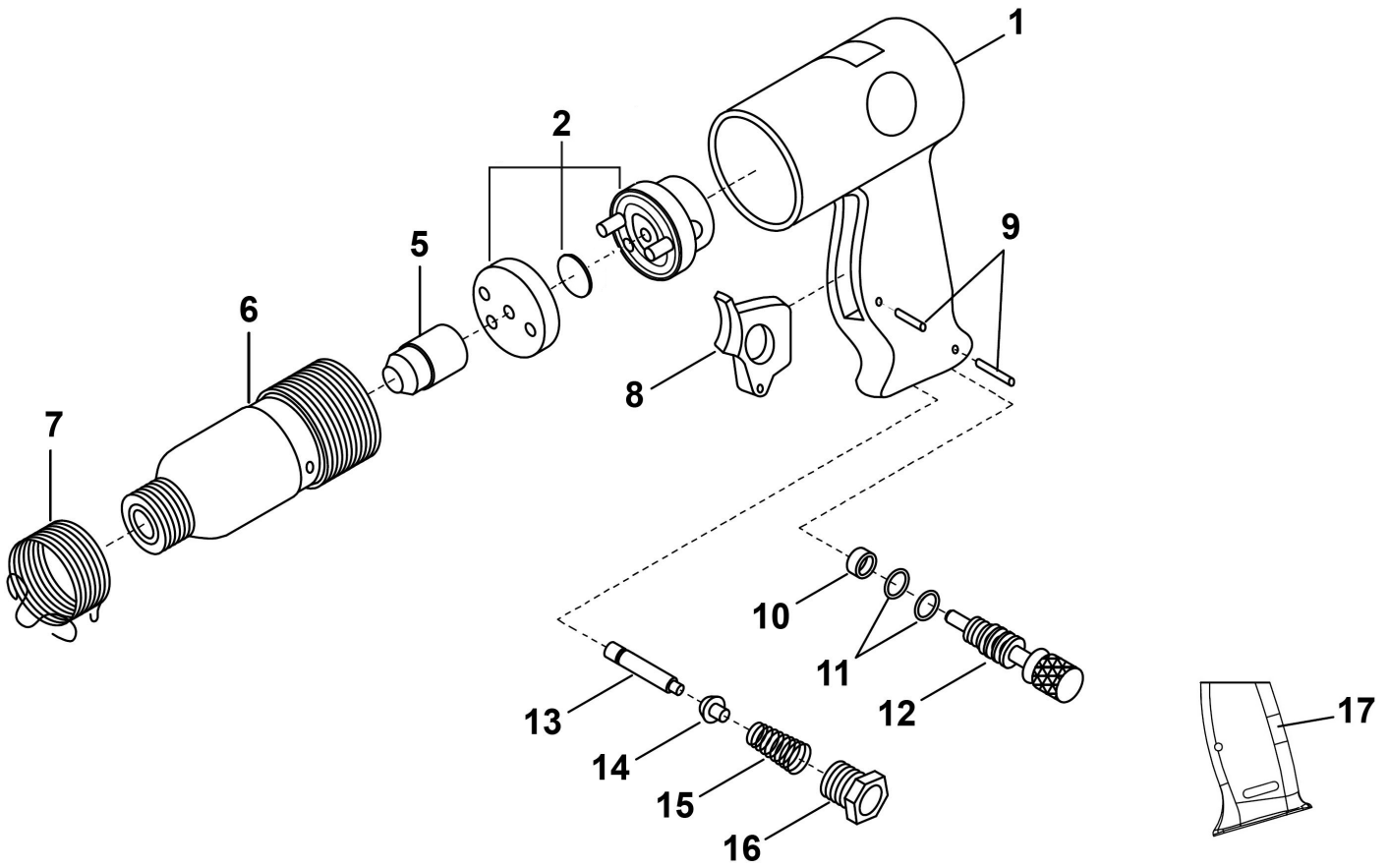




Parts Information:
Air Hammer Kit Long Stroke
Model No: GSA11.V2



Item	Part No.	Description
1	SA11.V4-01	Housing
2	SA12S.V4-02	Sealing Valve Cover Assembly
5	SA11.V4-05	Piston
6	SA11.V4-06	Cylinder
7	GSA12.V2-07	Spring
8	GSA12.V2-08	Trigger
9	GSA12.V2-09	Trigger Pin
10	GSA12.V2-10	Throttle Valve

Item	Part No.	Description
11	GSA08.09-4	O-ring, (Ex: 11.21 In: 7.65 Cs: 1.78)
12	GSA12.V2-12	Adjusting Valve
13	GSA12.V2-13	Pin
14	GSA12.V2-14	Valve Plate Assembly
15	GSA12.V2-15	Taper Spring
16	GSA12.V2-16	Air Inlet Connector
17	SA12S.V4-17	Housing Sleeve

NOTE: It is our policy to continually improve products and as such we reserve the right to alter data, specifications and component parts without prior notice. There may be alternative versions of this product, please contact us should you require this information.

IMPORTANT: No liability is accepted for incorrect use of product. Spare parts must be fitted by a competent person

WARRANTY: Guarantee is 12 months from purchase date, proof of which will be required for any claim.

Sealey Group, Kempson Way, Suffolk Business Park, Bury St Edmunds, Suffolk. IP32 7AR



01284 757500



sales@sealey.co.uk



www.sealey.co.uk